

2

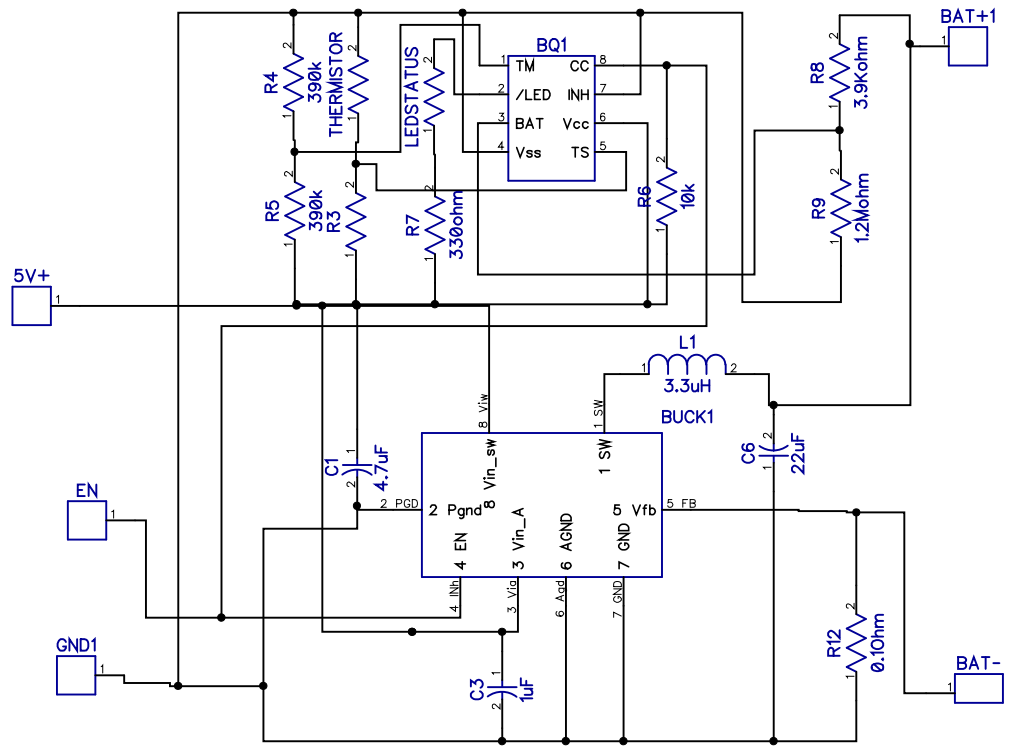
1

REVISIONS

| ZONE | REV | DESCRIPTION | DATE | APPROVED |
|------|-----|-------------|------|----------|
|------|-----|-------------|------|----------|

B

B



A

A

2

1

|       |          |         |     |
|-------|----------|---------|-----|
| SIZE  | FSCM NO. | DWG NO. | REV |
| SCALE | Sheet 1  |         |     |